

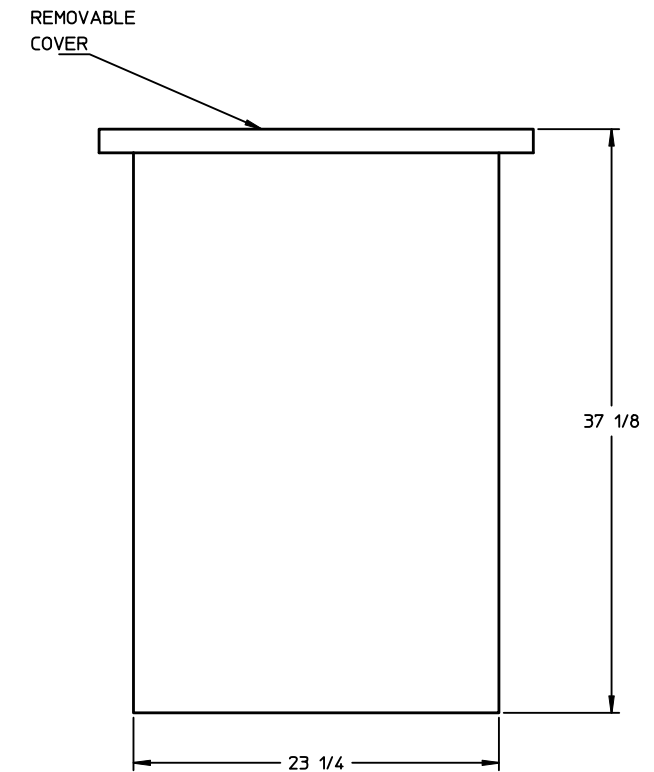
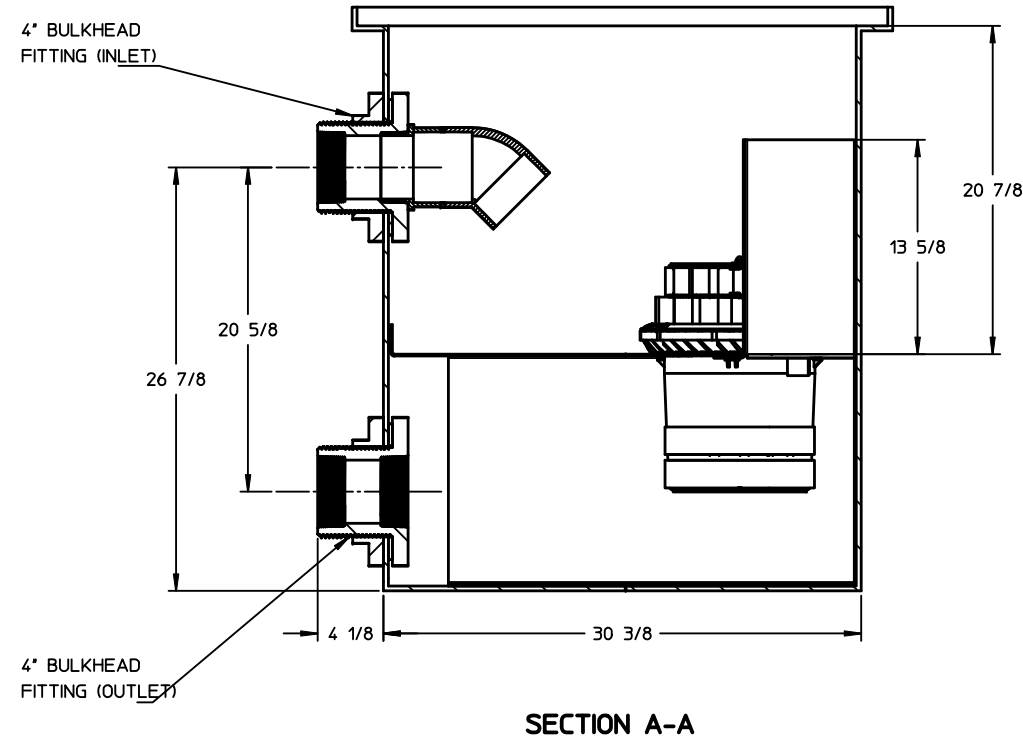
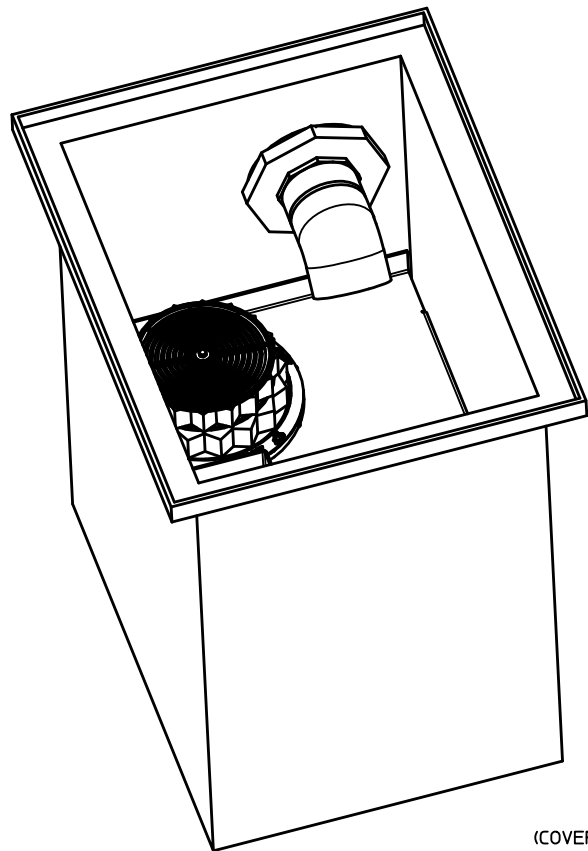
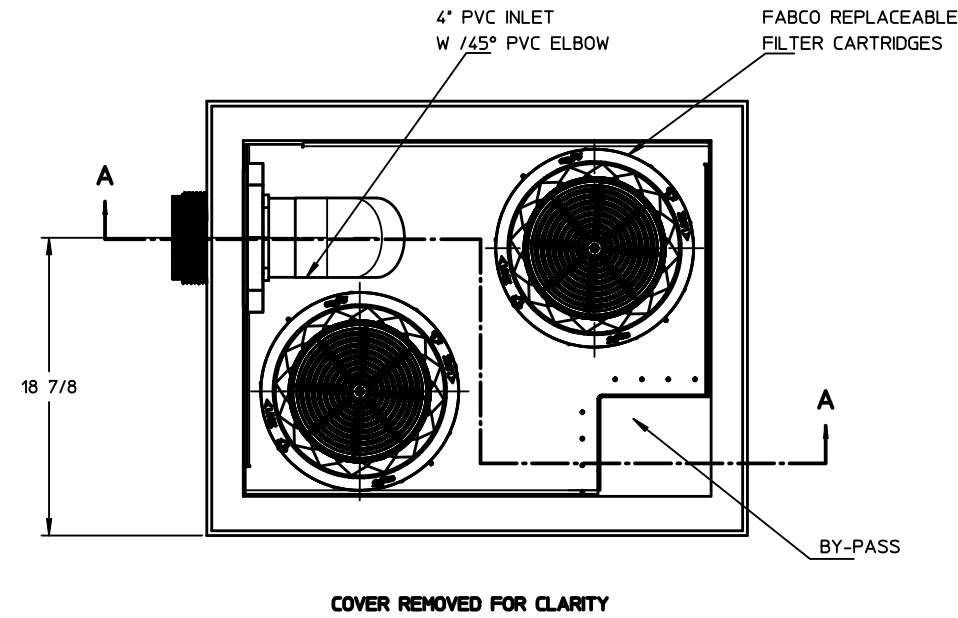
THIS DOCUMENT IS THE PROPERTY OF FABCO INDUSTRIES AND IS CONVEYED WITH THE EXPRESS CONDITION THAT IT AND THE INFORMATION CONTAINED IN IT ARE NOT TO BE USED, DISCLOSED, OR REPRODUCED IN WHOLE OR IN PART, FOR ANY PURPOSE WITHOUT THE EXPRESS WRITTEN CONSENT OF FABCO INDUSTRIES, AND THAT NO RIGHT IS GRANTED TO DISCLOSE OR SO USE ANY INFORMATION CONTAINED IN SAID DOCUMENT.

FABCO-PAR-001

REVISIONS			
REV	DESCRIPTION	DATE	APPROVED
B	NEW CHEM-TAINER TANK	2/19/14	

NOTES:

- WEIGHT (APPROX):
 - EMPTY W/CARTRIDGES: 50-LB
 - FULL OF WATER: 1200-LB
- MATERIAL:
 - FILTER HOUSING AND COVER: HDPE, WHITE
 - CARTRIDGE PLATE: 5052-H32 ALUMINUM ALLOY
 - SUPPORT HARDWARE: CRES 300 SERIES OR EQUAL
- PERFORMANCE CHARACTERISTICS (TYP):
 - DEBRIS CAPACITY: 11.0 CU-FT
 - FILTERED FLOW RATE (CLEAN HEAVY METALS CARTRIDGES): 120 GPM (.26 CFS)
 - BYPASS FLOW RATE: 848.0 GPM (1.89 CFS)
- TYPICAL INSTALLATION: CUT DOWNSPOUT PIPE AND CONNECT THE 4" INLET AND OUTLET PIPES AS REQUIRED TO REDIRECT RAIN FLOW THROUGH THE FILTER BOX.
- USE ONLY WITH FABCO REPLACEABLE MEDIA CARTRIDGES.



NO	QTY	PART NUMBER	DESCRIPTION	REMARKS
BILL OF MATERIALS				
UNLESS OTHERWISE SPECIFIED		TOLERANCES:		
REMOVE ALL BURRS		DEC .00 ± .01		
BREAK SHARP EDGES .002 - .020		DEC .000 ± .005		
FILLETES .020 MAX		FRACT ± 1/64		
DIMENSIONS ARE IN INCHES AND		ANGLE = 2°		
INCLUDE CHEMICALLY APPLIED		Ra FINISH		
OR PLATED FINISHES		DO NOT SCALE THIS DRAWING		
MATERIAL		APVD		
SEE NOTES		FABCO INDUSTRIES, INC.		
MODEL LINK		66 CENTRAL AVENUE		
10080-1		FARMINGDALE, NY 11735		
		WWW.FABCO-INDUSTRIES.COM		
		APPROVALS		DATE
		DWN MS		11/15/13
		CHKR		
		ENGR JP		11/15/13
		APVD		
		TITLE		
		DOWN SPOUT FILTER		
SIZE	CAGE CODE	DWG NO	REV	
D	1P8A4	10080-1-000	B	
SCALE	1:6	WT	SHEET 1 OF 1	