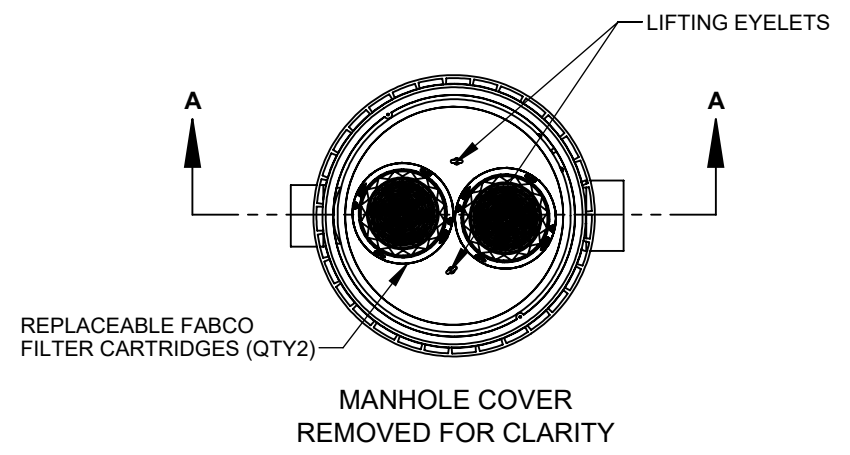
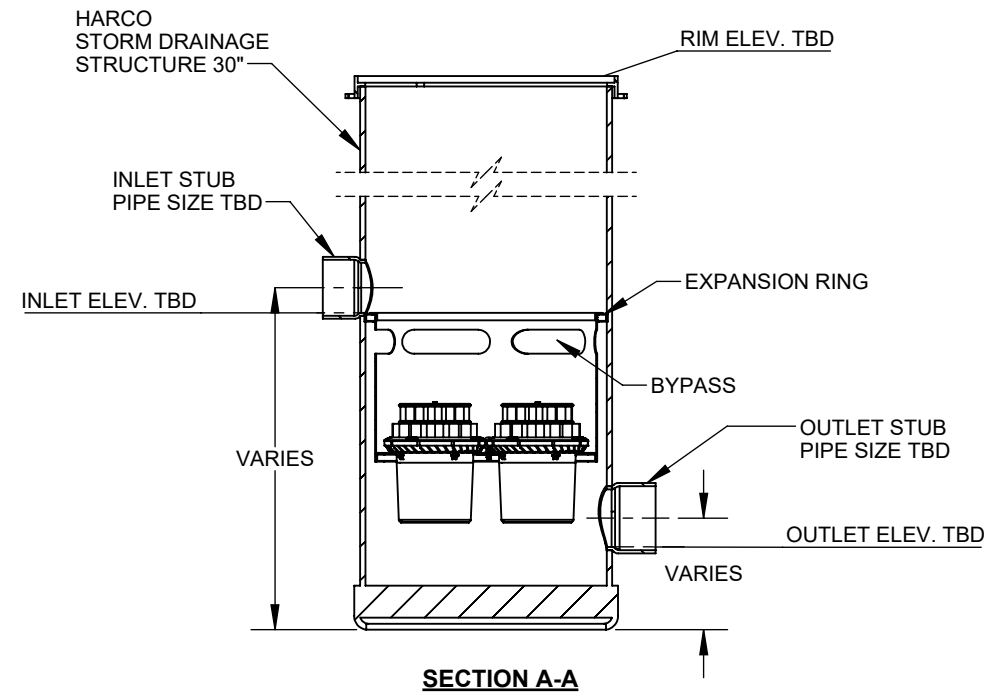


REFERENCE VIEW



MANHOLE COVER REMOVED FOR CLARITY



SECTION A-A

NOTES :

1. ASSEMBLY WEIGHT (EMPTY): 350 LB MAX
2. MATERIAL:
 - A) DRAINAGE STRUCTURE: PVC CONFORMS TO ASTM D1784 CELL CLASS 12454
 - B) CARTRIDGE BASIN ASSEMBLY: HDPE HOUSING W/ ALUMINUM LOCKING PLATE
 - C) HARDWARE: STAINLESS STEEL, 300 SERIES
 - D) GRATE/FRAME: DUCTILE IRON PER ASTM A536 GRADE 80-55-06 MEETS H25 LOADING
3. PERFORMANCE CHARACTERISTICS (TYP):
 - A) DEBRIS CAPACITY: 3.67 CU-FT
 - B) FILTERED FLOW RATE (HEAVY METAL CART.): 120 GPM (0.27 CFS)
 - C) BYPASS FLOW RATE: 1970 GPM (4.4 CFS)
4. USE WITH FABCO REPLACEABLE FILTER CARTRIDGES ONLY
5. THE DRAINAGE STRUCTURE IS DESIGNED TO BE INSTALLED USING ACCEPTED PIPE BACKFILL MATERIALS AND PRACTICES AS REFERENCED IN ASTM D2321. USE OF CLASS 2 RATED BEDDING AND BACKFILL MATERIAL, INCLUDING ANGULAR STONE AND OTHER CRUSHED OR GRANULAR MATERIALS AS CLARIFIED IN ASTM D2321 ARE ACCEPTABLE MATERIALS. ACCEPTABLE BEDDING AND BACKFILL MATERIAL WILL ALSO BE PLACED AND COMPACTED IN LAYERS ACCORDING TO ASTM D2321 GUIDELINES.

PART NUMBER	DESCRIPTION	COLOR CODE	FLOW RATE (TYP)
9718-1	STANDARD	RED	115 GPM (0.26 CFS)
9718-2	BACTERIA	YELLOW	115 GPM (0.26 CFS)
9718-3	HYDROCARBONS	BLUE	115 GPM (0.26 CFS)
9718-4	HEAVY METALS	GREY	60 GPM (0.13 CFS)
9718-5	STANDARD (SHORT)	MINT	115 GPM (0.26 CFS)
9718-6	NUTRIENTS	GREEN	100 GPM (0.22 CFS)
9718-7	HIGH FLOW	RED (MARKED)	260 GPM (0.58 CFS)

PROPRIETARY AND CONFIDENTIAL
 THIS DOCUMENT IS THE PROPERTY OF FABCO INDUSTRIES AND IS CONVEYED WITH THE EXPRESS CONDITION THAT IT AND THE INFORMATION CONTAINED IN IT ARE NOT TO BE USED, DISCLOSED, OR REPRODUCED IN WHOLE OR IN PART, FOR ANY PURPOSE WITHOUT THE EXPRESS WRITTEN CONSENT OF FABCO INDUSTRIES; AND THAT NO RIGHT IS GRANTED TO DISCLOSE OR SO USE ANY INFORMATION CONTAINED IN SAID DOCUMENT.

UNLESS OTHERWISE SPECIFIED
 REMOVE ALL BURRS
 BREAK SHARP EDGES .002 - .020
 FILLETS .020 MAX
 DIMENSIONS ARE IN INCHES AND INCLUDE CHEMICALLY APPLIED OR PLATED FINISHES

TOLERANCES:
 DEC .00 ± .01
 DEC .000 ± .005
 FRACT ± 1/16
 ANGLE ± 2°

PROJECT: SEE NOTES

APPROVAL: MS 4/13/16
 DATE: 4/13/16
 CHKD: JP
 ENGR: JP
 UPD: JP

FABCO INDUSTRIES, INC.
 24 CENTRAL DRIVE
 FARMINGDALE, NY 11735
 WWW.FABCO-INDUSTRIES.COM

TITLE: STORM STRUCTURE 2 CARTRIDGE

SIZE DWG. NO. B 10162-2-000

SCALE: NONE SHEET 1 OF 1

REV C

